



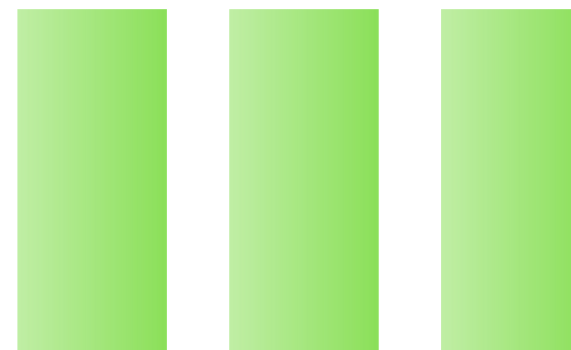
Connecting Technologies



strim-tech.com

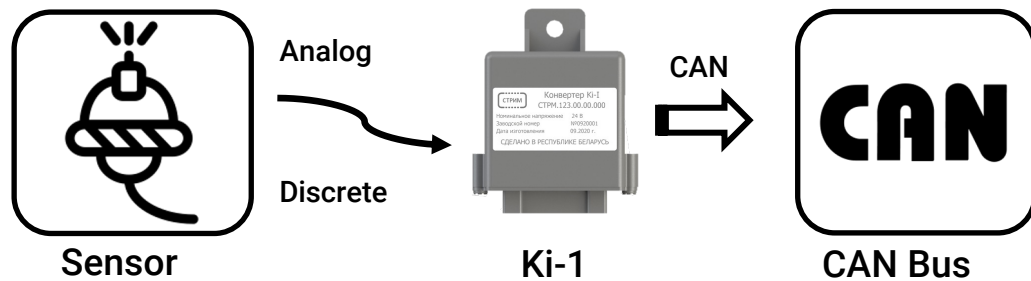


КИ-1 – ANALOG TO CAN CONVERTER



PURPOSE AND FEATURES

The **Ki-1** converter is designed to convert signals of sensors and other devices with analog or discrete output into a digital CAN signal and send this signal to the CAN bus. Ki-1 also has a discrete output for indication and other equipment control.



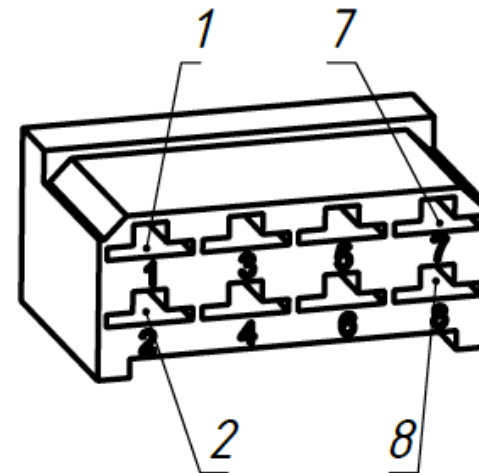
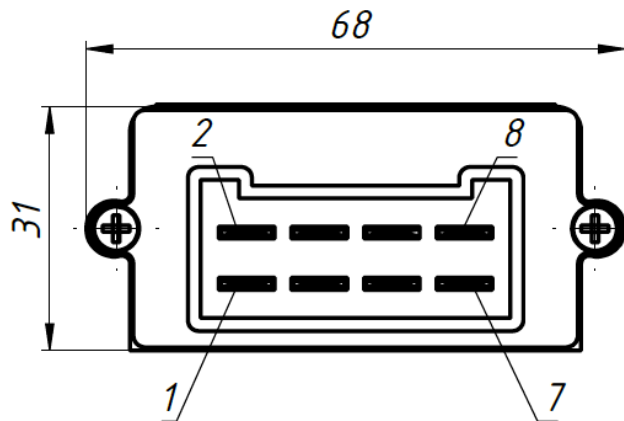
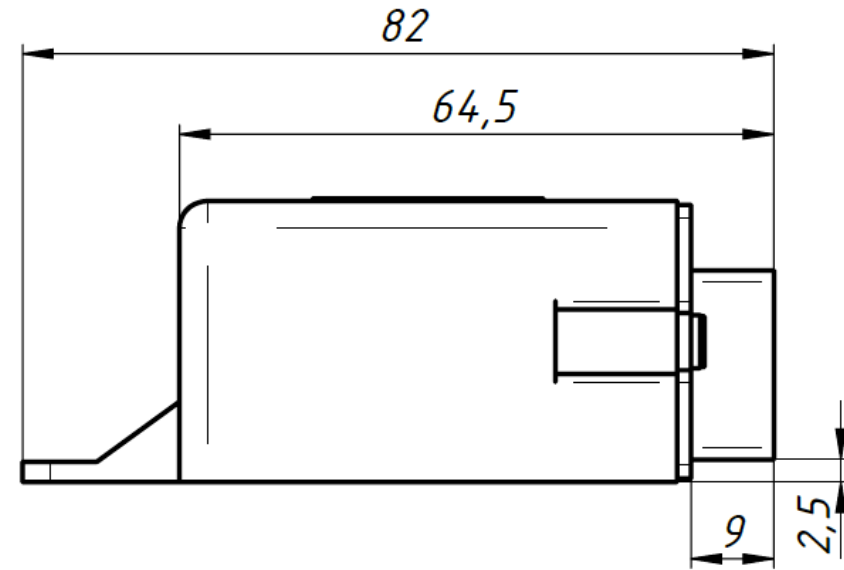
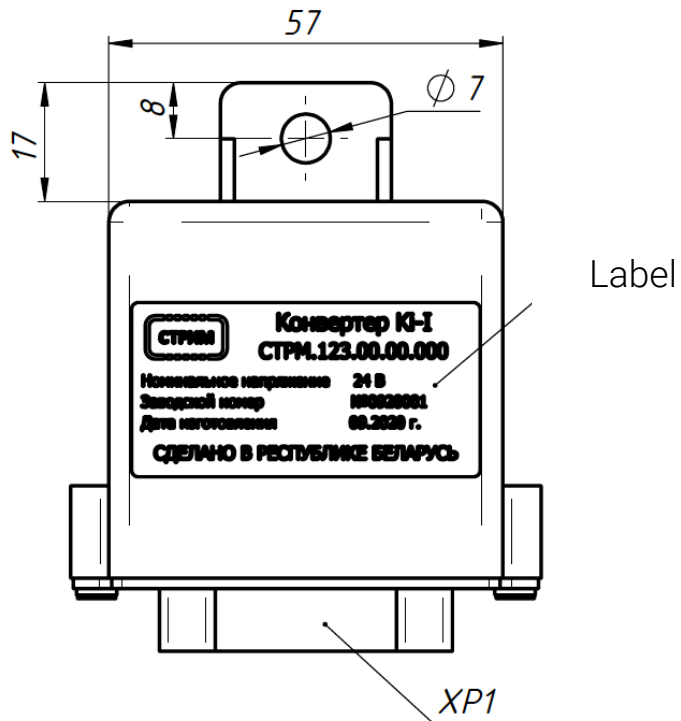
The Ki-1 is an ideal solution for converting signals from one or two sensors with current, analog or digital outputs into a digital CAN signal when installing an electronic unit with more inputs is not practical.



SPECIFICATIONS

Parameter	Value
Rated power supply voltage, V	24
Power supply voltage range, V	9...32
Power consumption (at $V_{\text{source}}=24$ V), W	2
Analog input voltage, V	0...5 or 0...10
Discrete output max voltage	V_{source}
Connecting to operating equipment	CAN bus
Mode of operation	S1 (Continuous)
Protection degree	IP5X
Operating temperature, °C	-40...+65
Weight, kg	0,5

DIMENSIONS



Pin	Circuit
1	CAN-L
3	Output
4	GND
5	CAN-H
7	Input
8	+24 V